

## UPRIGHT FREEZER

- Blower System
- Magnetic Solid Door



**4D-UF**

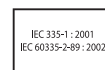
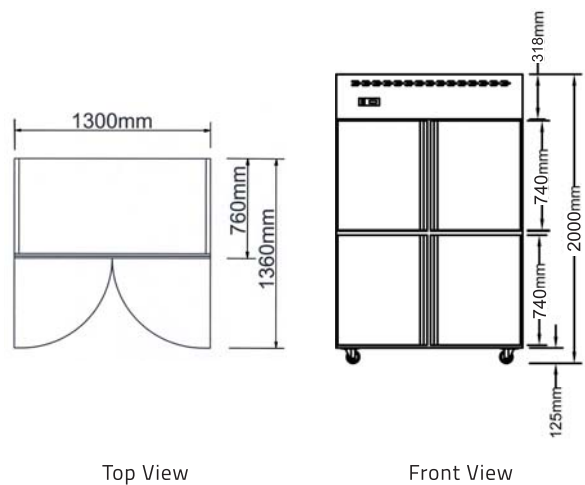
**4 DOOR**

### MODEL

Temperature°C (celsius)  
 External Dimension (mm)  
 Internal Dimension (mm)  
 Gross Volume (Litres)  
 Voltage/ Frequency (V/ Hz)  
 Weight (kgs)  
 Compressor  
 Wattage (W)  
 Ampere (A)  
 Energy Consumption (kw/ 24h)  
 Refrigerant/ Grams  
 Defrost System  
 Temperature Control  
 Shelves (Pvc)  
 Number Of Clips

### 4D-UF

-22 to -18  
 1300 x 760 x 2000  
 1180 x 640 x 1460  
 1103  
 230V/1/50Hz  
 220V/1/60Hz  
 165  
 3/4Hp  
 950 - 1050  
 4.5 - 4.9  
 15.5 - 17.1  
 R404a / 750g  
 Electric Heater  
 Digital  
 8  
 32



\*Note:-

Option : CW - Castor Wheel / BF - Bullet Feet

As product improvement is an on going process, we reserve the right to change specifications or design without notice.